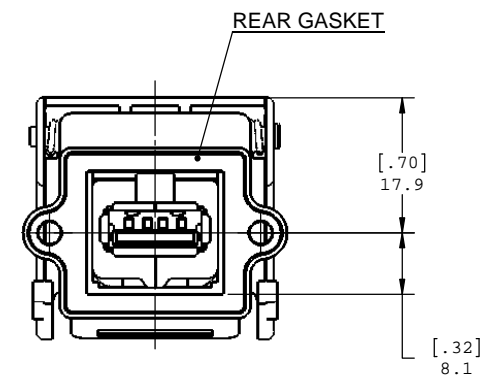
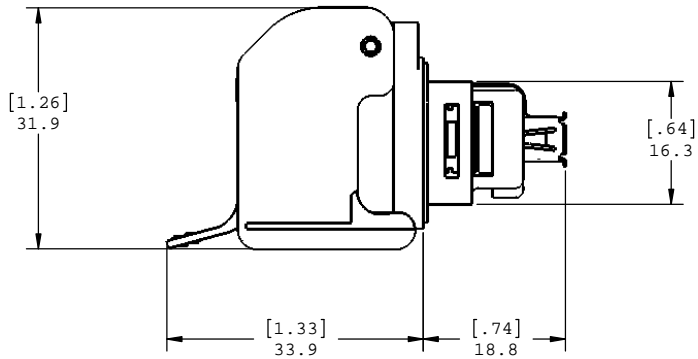
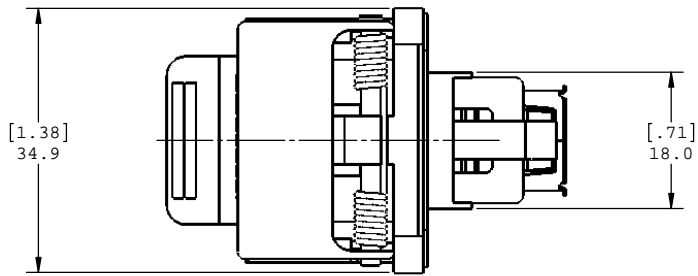
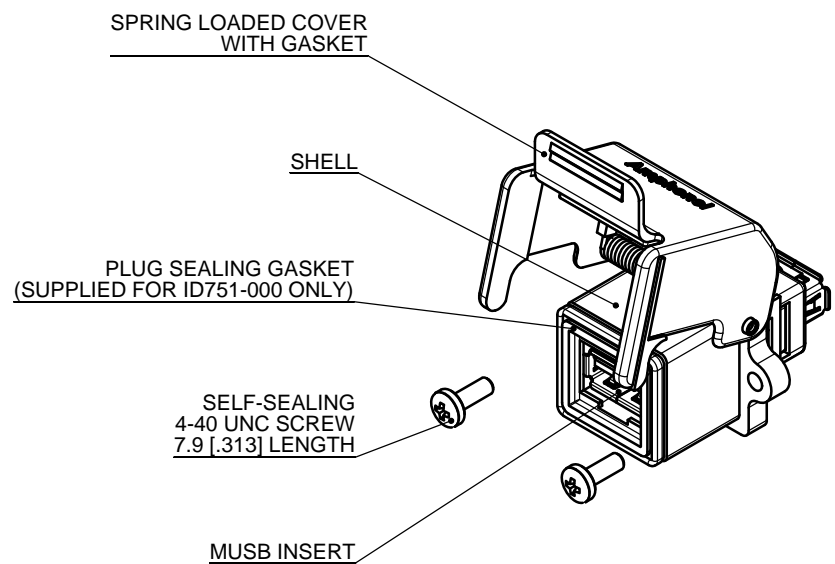


REV	DESCRIPT	DATE	APPRVD



**CONNECTOR WITH COVER CLOSED**



**NOTES:**

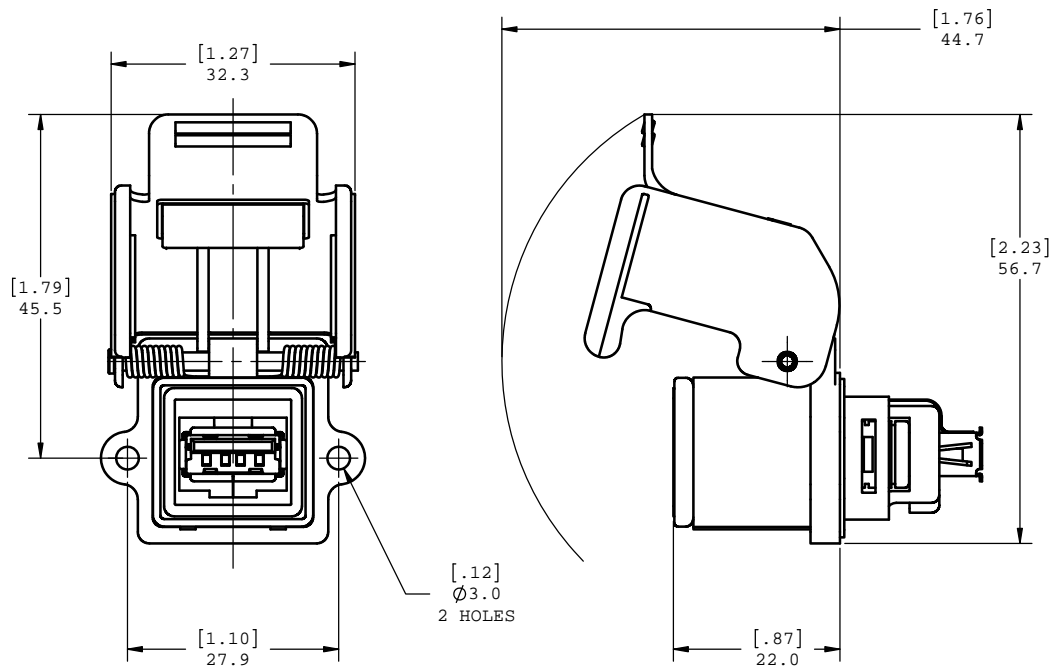
- MATERIAL:**
  - SHELL: ZINC ALLOY DIE CAST, 3 MICRONS [120 μm] MIN NICKEL OVERALL.
  - COVER: ZINC ALLOY DIE CAST, 3 MICRONS [120 μm] MIN NICKEL OVERALL.
  - SCREWS: STAINLESS STEEL.
  - HOUSING: HIGH TEMPERATURE THERMOPLASTIC, GLASS FILLED. FLAMMABILITY RATING UL94V-0, COLOR - BLACK.
  - CONTACTS: COPPER ALLOY.
  - GASKETS: SILICONE RUBBER.
- OPERATING TEMPERATURE: -40°C TO +85°C.
- ENVIRONMENT PERFORMANCE: IP67.
- CONNECTOR IS ROHS COMPLIANT PER EU DIRECTIVE 2002/95/EC AND AMENDMENTS.
- PART NUMBER FOR ORDER IS ID451-000.



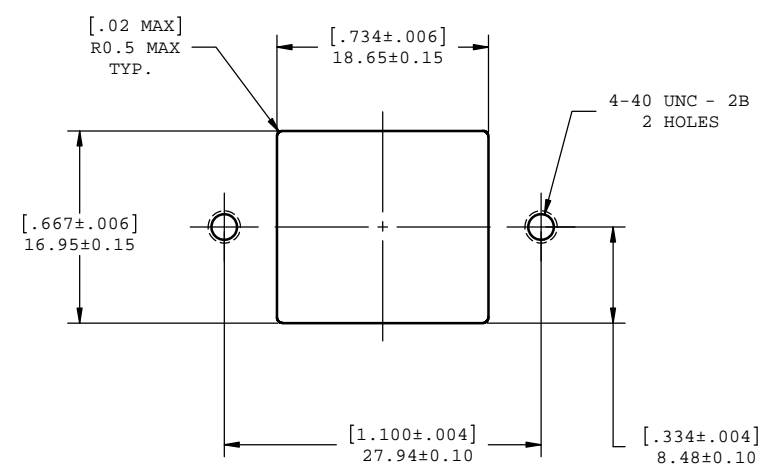
UNLESS OTHERWISE SPECIFIED DIMENSIONS ARE IN MILLIMETER TOLERANCES ARE:		APPROVALS	DATE	<b>Amphenol Canada Corp.</b>	
DECIMALS .XX ±.10 .X ±.25		DRAWN S.SEMENOV	FEB27/07		
ANGLES ± 1°		DESIGNED S.SEMENOV	FEB27/07	TITLE	
MATERIAL AND FINISH		CHECKED		USB RECEPTACLE	
REF.		QA APP'D		SIZE C	DWG. NO. P-ID451-000
CODE IDENT. NO.		IE APP'D		SCALE 2:1	PROJECT ID
		DWG APP'D A.GREEN	FEB27/07	SHEET 1 OF 2	REV. 1C

DO NOT SCALE DRAWING  
THIS DOCUMENT CONTAINS PROPRIETARY INFORMATION AND SUCH INFORMATION MAY NOT BE DISCLOSED TO OTHERS FOR ANY PURPOSE OR USED FOR MANUFACTURING PURPOSES WITHOUT PERMISSION FROM AMPHENOL CANADA CORP.

REV	DESCRIP	DATE	APPRVD



**CONNECTOR WITH COVER OPENED**



**PANEL CUTOUT**



UNLESS OTHERWISE SPECIFIED DIMENSIONS ARE IN MILLIMETER TOLERANCES ARE:		APPROVALS	DATE	<b>Amphenol Canada Corp.</b>	
DECIMALS	ANGLES	DRAWN	FEB27/07		
.XX ±.10	± 1°	S.SEMENOV		TITLE	
.X ±.25		DESIGNED	FEB27/07		
MATERIAL AND FINISH		S.SEMENOV		USB RECEPTACLE	
		CHECKED			
		QA APP'D			
REF.		IE APP'D		SIZE	DWG. NO.
		DWG APP'D	FEB27/07	C	P-ID451-000
CODE IDENT. NO.		A.GREEN		SCALE	PROJECT ID
				2:1	2 OF 2

DO NOT SCALE DRAWING  
 THIS DOCUMENT CONTAINS PROPRIETARY INFORMATION AND SUCH INFORMATION MAY NOT BE DISCLOSED TO OTHERS FOR ANY PURPOSE OR USED FOR MANUFACTURING PURPOSES WITHOUT PERMISSION FROM AMPHENOL CANADA CORP.